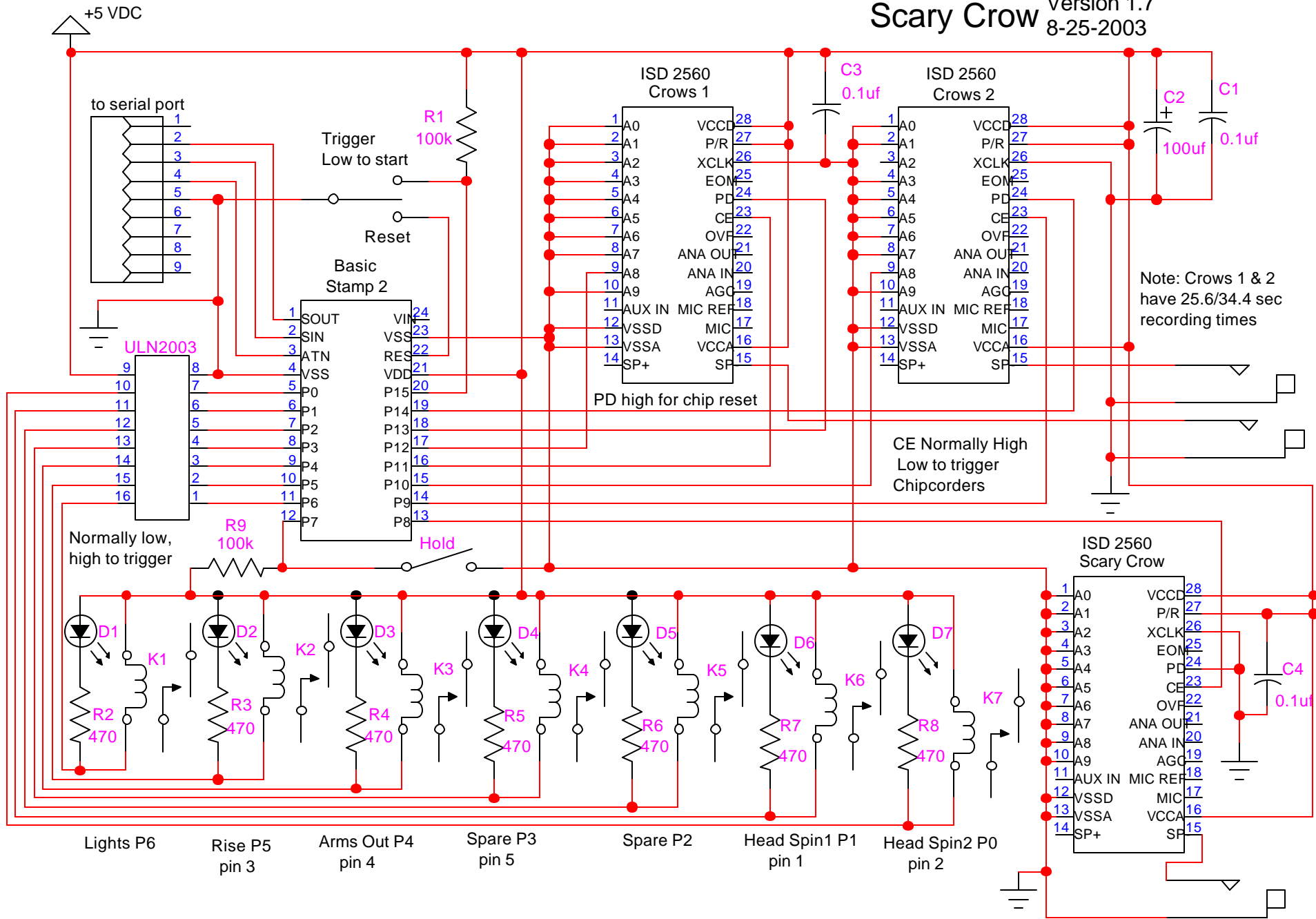


# Scary Crow Version 1.7

8-25-2003



Note: Crows 1 & 2 have 25.6/34.4 sec recording times

CE Normally High  
Low to trigger  
Chipcoders

PD high for chip reset

+5 VDC

to serial port

Trigger  
Low to start

Reset

Basic Stamp 2

ULN2003

R1  
100k

C3  
0.1uf

C2  
100uf

C1  
0.1uf

Normally low,  
high to trigger

R9  
100k

Hold

Lights P6

Rise P5  
pin 3

Arms Out P4  
pin 4

Spare P3  
pin 5

Spare P2

Head Spin1 P1  
pin 1

Head Spin2 P0  
pin 2

ISD 2560  
Scary Crow

C4  
0.1uf